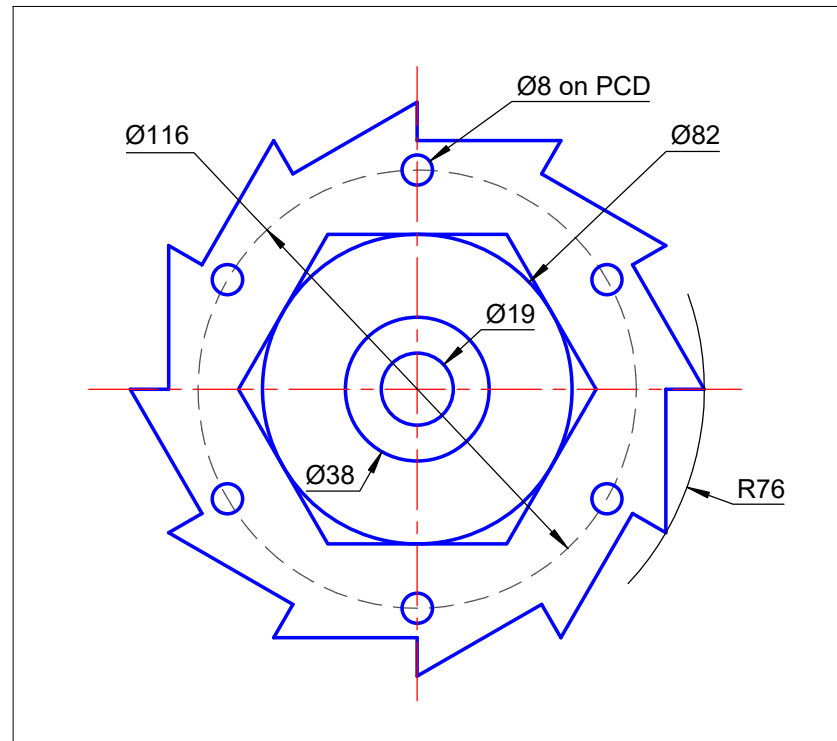


TurboCAD 2D

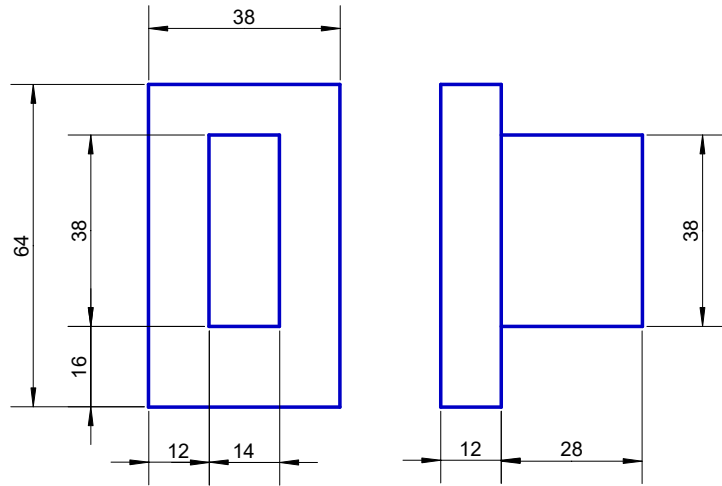
Practical Drawings

TurboCAD®
AFRICA

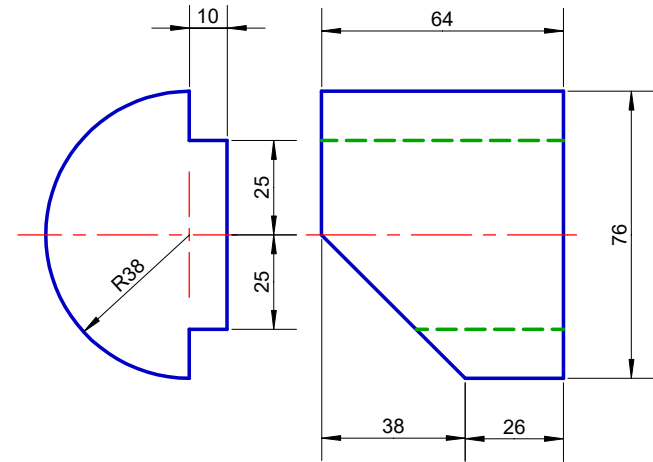


**These drawings supplements the TurboCAD 2D Drawing Course.
Drawings are prepared by TurboCAD Africa and can be contacted on 086 100 1277 for more information.**

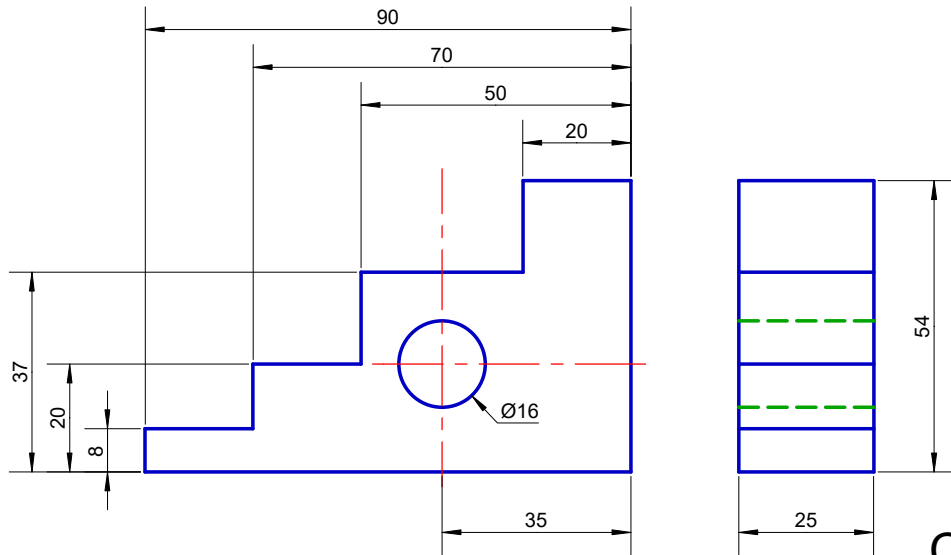
<p style="text-align: center;">SEKE Single Entry Keyboard Equivalent</p>	<p style="text-align: center;">Alt Key Codes Some fonts may react differently</p>	<p style="text-align: center;">DEKE / TEKE Double/Triple Entry Keyboard Equivalent</p>
<ul style="list-style-type: none"> • V Snap to vertex status • M Snap to Midpoint of a line • I Snap to Intersection (2D) • N – Snap to Nearest point • J – Snap to Perpendicular • D – Move the reference point of selected object • E Snap to Center of Extents of an object • C Snap to Center of a circle or ellipse • Q Snap to Quadrant point of an arc • G – Snap to Grid point • Spacebar Exit Tool or Engage Selector • Esc Cancel the current procedure • Delete – Erase the selection • Tab Enter the Inspector Bar fields • F5 Refresh screen <p>This is by no means all of the SEKE keys, but is a number of very useful ones that you will find beneficial.</p>	<ul style="list-style-type: none"> ¢ Cent sign 0162 £ Pound sign 0163 © Copyright sign 0169 « Left-pointing double angle 0171 » Right-pointing double angle 0187 ® Registered sign 0174 ° Degree sign 0176 ± Plus minus sign 0177 ¹ Superscript one 0185 ² Superscript two 0178 ³ Superscript three 0179 ´ Acute accent 0180 • Middle dot 0183 ¼ One quarter 0188 ½ One half 0189 ¾ Three quarters 0190 × Multiplication sign 0215 ÷ Division sign 0247 En dash 0150 Em dash 0151 † Dagger 0134 ‡ Double dagger 0135 • Bullet 0149 ∅ Diameter sign 0248 <ul style="list-style-type: none"> • To Use Alt Key Codes: Insure the Num Lock key on the Number Pad is on. • Press and hold the Alt key. • Type in code number using the keypad on the right-hand side of the keyboard. • Release the Alt key. • Result is the desired character or symbol. <p style="color: red;">☞ Some fonts may react differently</p>	<ul style="list-style-type: none"> • Shift+Tab – Enter status bar Coordinate Fields • Ctrl+A Select the entire drawing • Ctrl+C – Copy the selection • Ctrl+V – Paste from clipboard contents • Ctrl+Z – Undo the last action • Ctrl+Y – Redo the previously undone action • Ctrl+K Select entities by colour • Ctrl+L – Select entities by layer • Ctrl+T – Select entities by type • Shift+Left – Rotate camera left • Shift+Right – Rotate camera right • Shift+Page Up – Bring entity(s) to front • Shift+Page Down – Send entity(s) to back • Ctrl+Shift+W – View by current workplane • Shift+Alt+W – Place selection on current work plane <p>This is by no means all of the DEKE or TEKE keys, but is a number of very useful ones that you will find beneficial.</p>



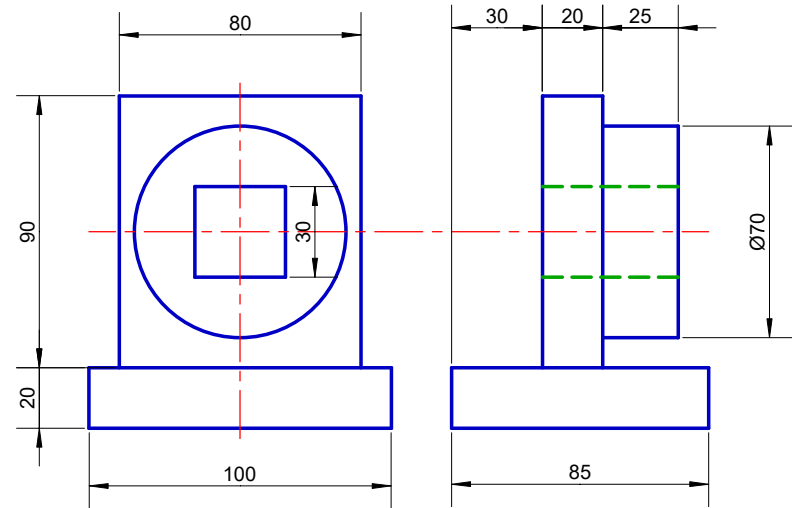
A



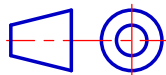
B



C



D



TITLE
EXERCISE 1

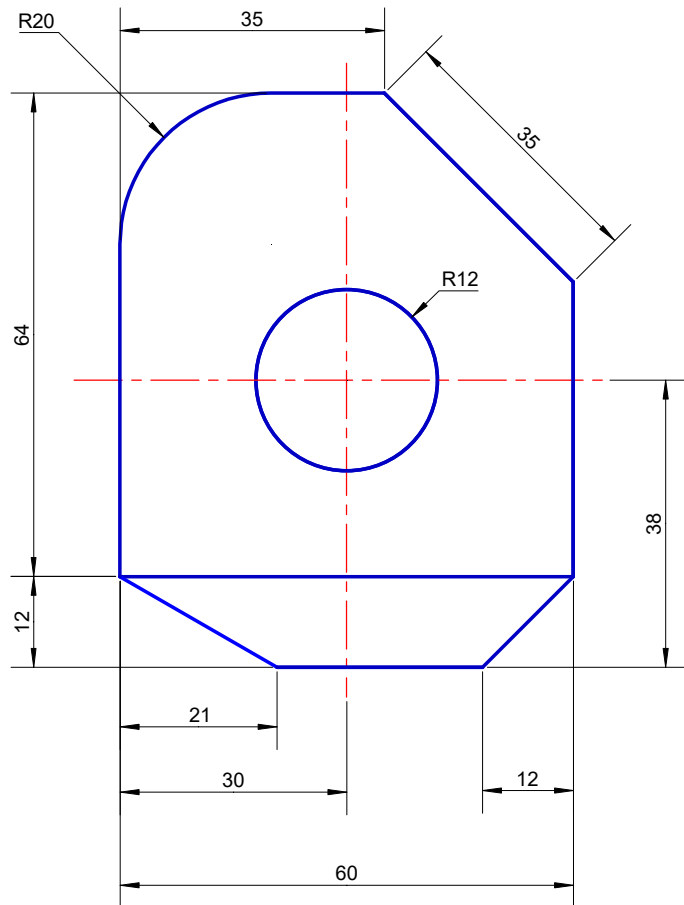
NOT TO SCALE

DRW. NO. :
1001

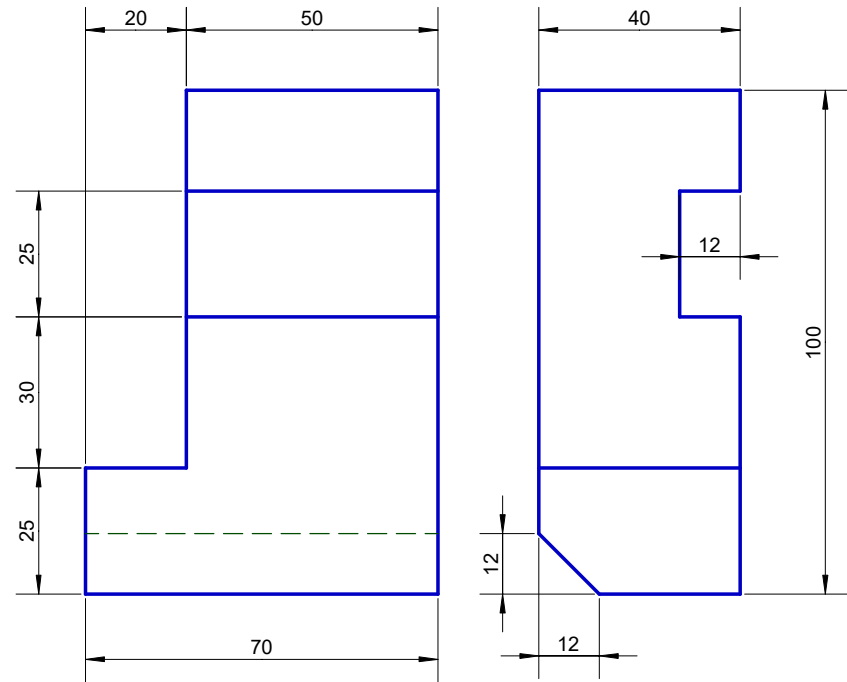
DATE: 12/06/2019

PREPARED BY:
TurboCAD Africa
298 Stokkiesdraai St.
Erasmusrand
Pretoria
Tel. 086 100 1277

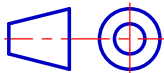
TurboCAD[®]
AFRICA



A



B



TITLE
EXERCISE 2

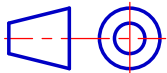
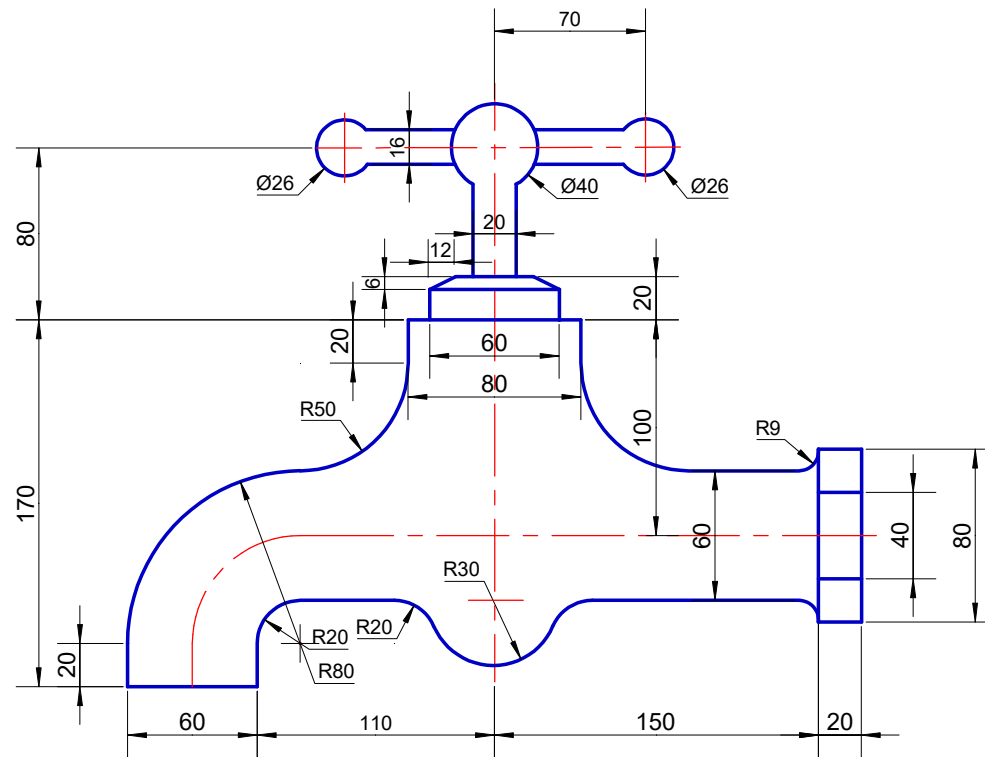
NOT TO SCALE

DRW. NO. :
1002

DATE: 12/06/2019

PREPARED BY:
TurboCAD Africa
298 Stokkiesdraai St.
Erasmusrand
Pretoria
Tel. 086 100 1277

TurboCAD[®]
AFRICA



TITLE
EXERCISE 3

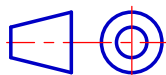
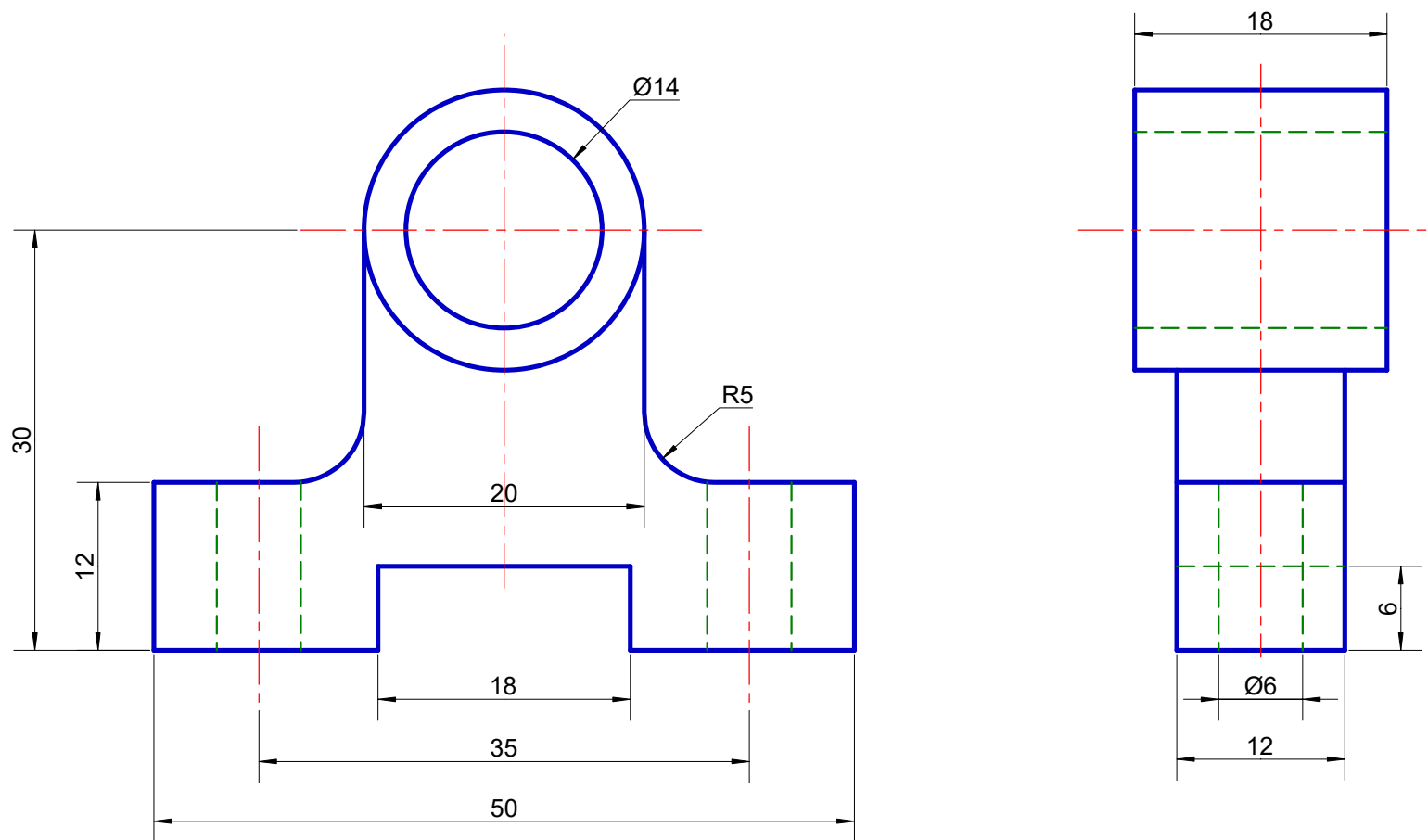
NOT TO SCALE

DRW. NO. :
1003

DATE: 12/06/2019

PREPARED BY:
TurboCAD Africa
298 Stokkiesdraai St.
Erasmusrand
Pretoria
Tel. 086 100 1277

TurboCAD[®]
AFRICA



TITLE
EXERCISE 4

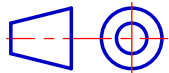
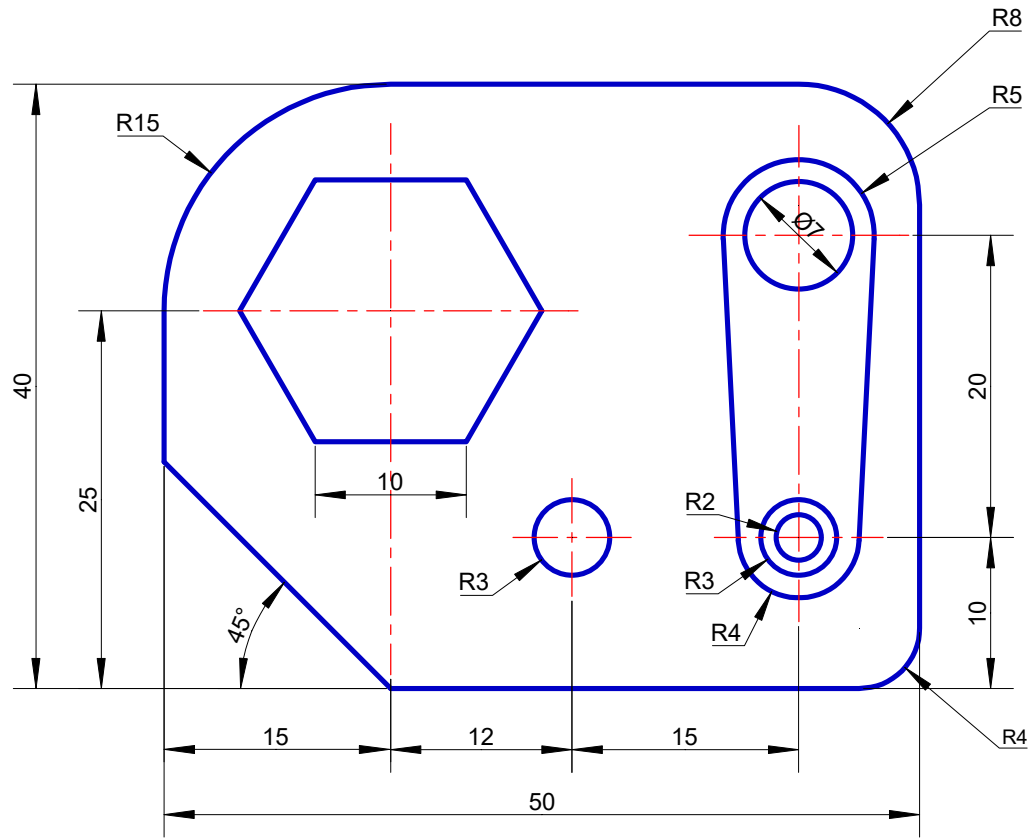
NOT TO SCALE

DRW. NO. :
1004

DATE: 12/06/2019

PREPARED BY:
TurboCAD Africa
298 Stokkiesdraai St.
Erasmusrand
Pretoria
Tel. 086 100 1277

TurboCAD[®]
AFRICA



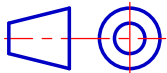
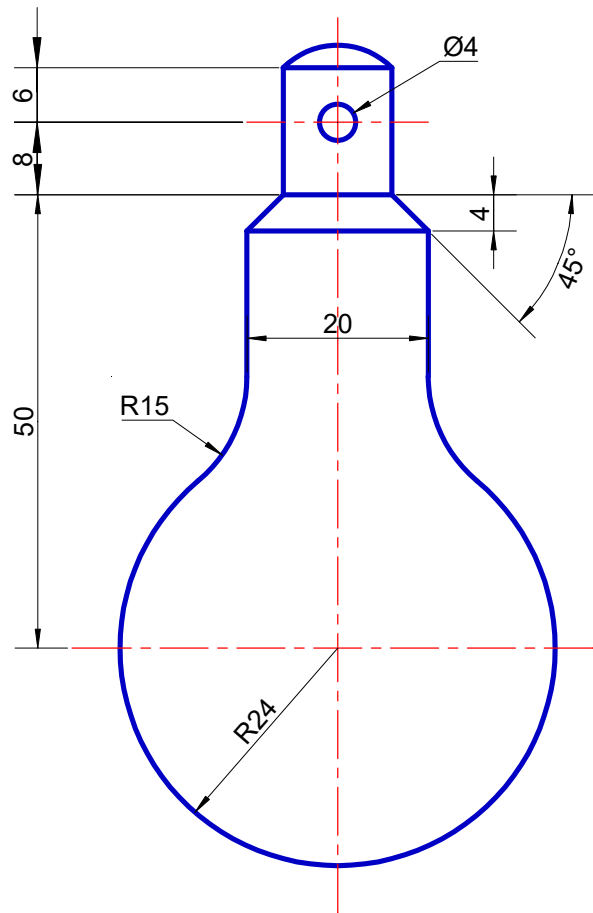
TITLE
EXERCISE 5

NOT TO SCALE
DATE: 12/06/2019

DRW. NO. : 1005

PREPARED BY:
TurboCAD Africa
298 Stokkiesdraai St.
Erasmusrand
Pretoria
Tel. 086 100 1277





TITLE

EXERCISE 6

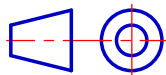
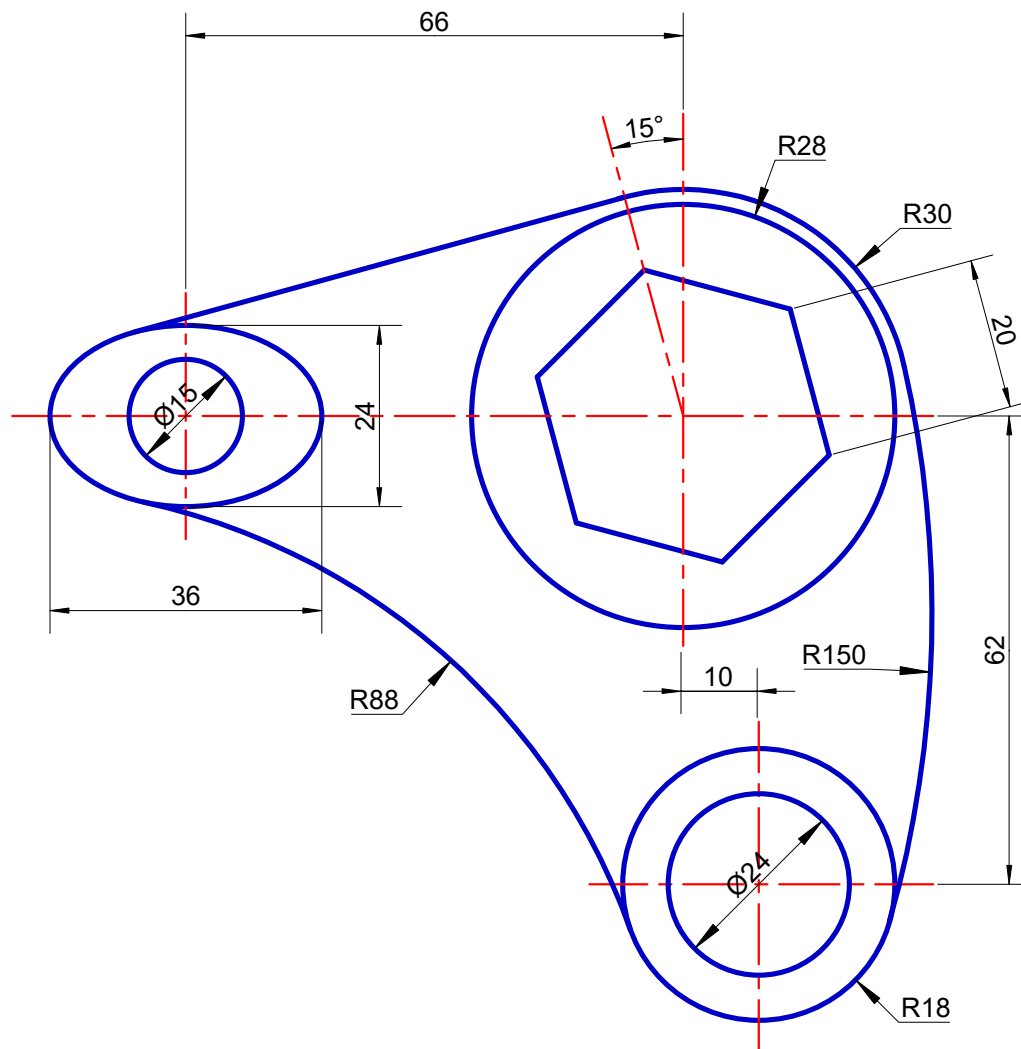
NOT TO SCALE

DRW. NO. :
1006

DATE: 12/06/2019

PREPARED BY:
TurboCAD Africa
298 Stokkiesdraai St.
Erasmusrand
Pretoria
Tel. 086 100 1277

TurboCAD[®]
AFRICA



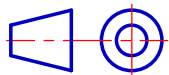
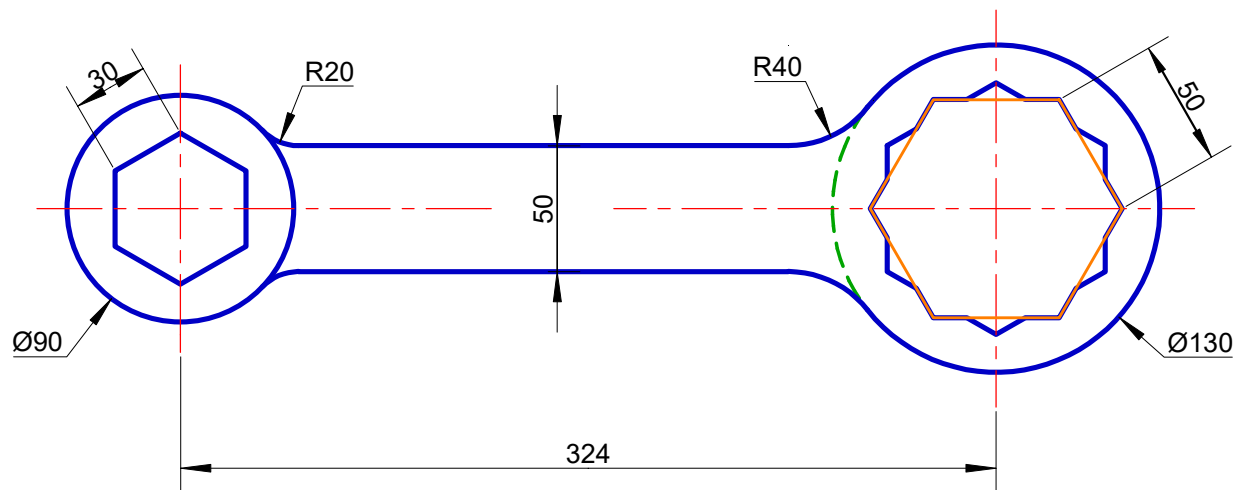
TITLE
EXERCISE 7

NOT TO SCALE
DATE: 12/06/2019

DRW. NO. : 1007

PREPARED BY:
TurboCAD Africa
298 Stokkiesdraai St.
Erasmusrand
Pretoria
Tel. 086 100 1277





TITLE
EXERCISE 8

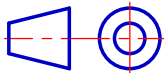
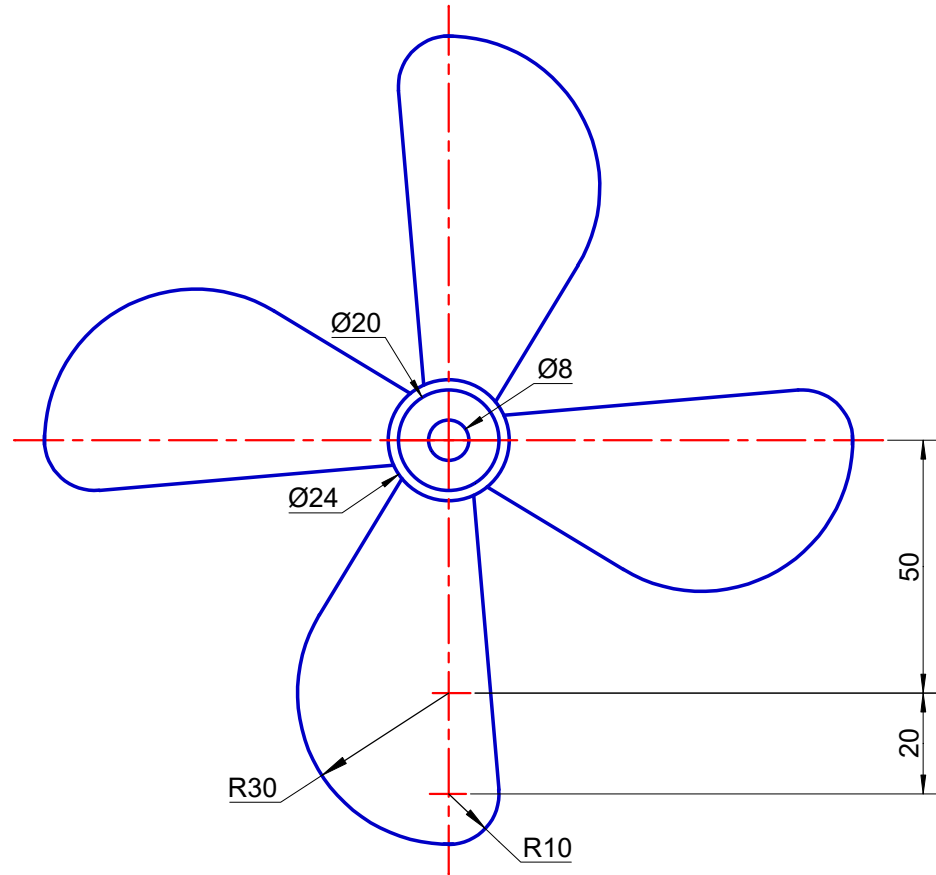
NOT TO SCALE

DRW. NO. :
1008

DATE: 12/06/2019

PREPARED BY:
TurboCAD Africa
298 Stokkiesdraai St.
Erasmusrand
Pretoria
Tel. 086 100 1277

TurboCAD[®]
AFRICA



TITLE

EXERCISE 9

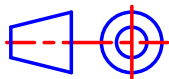
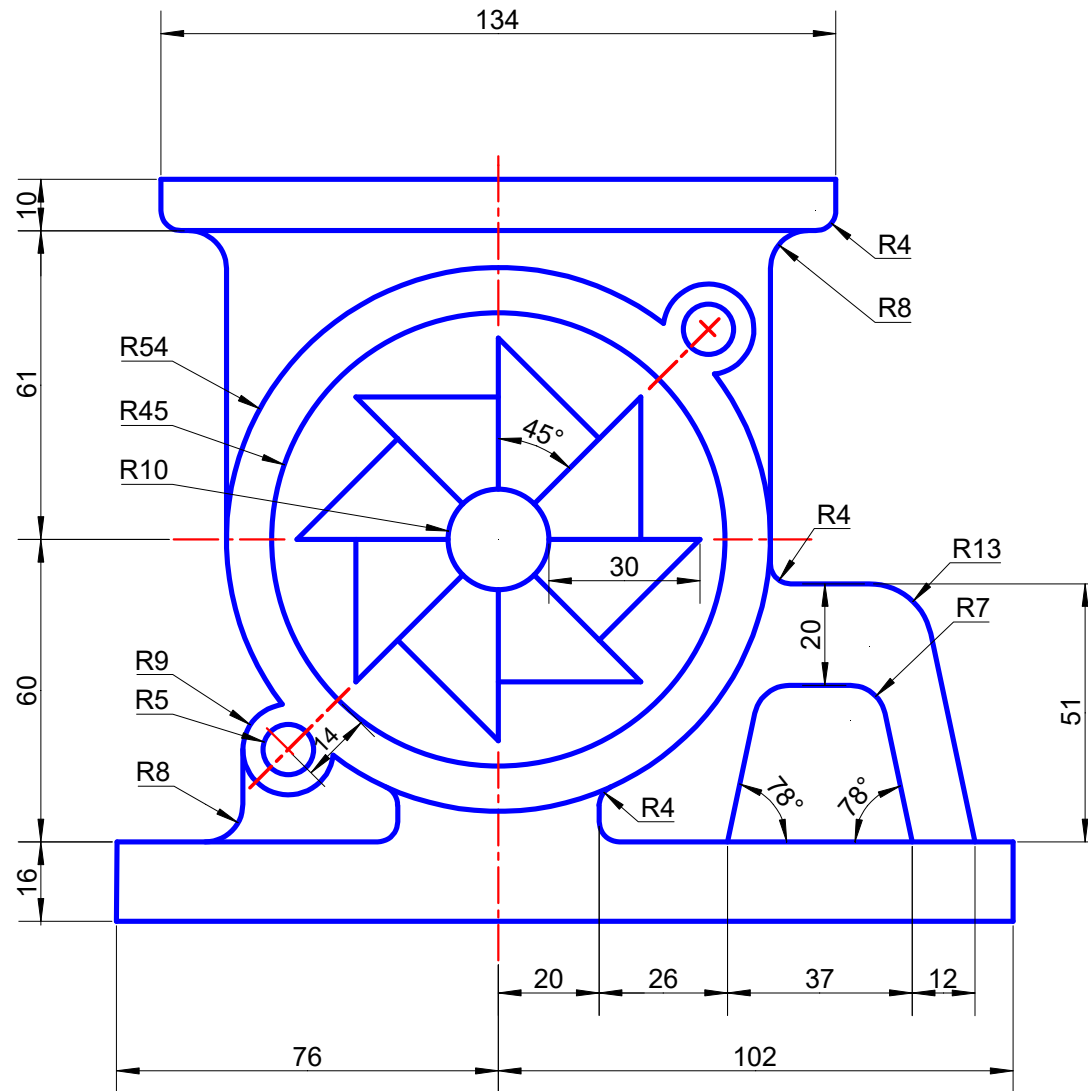
NOT TO SCALE

DATE: 12/06/2019

DRW. NO. :
1009

PREPARED BY:
TurboCAD Africa
298 Stokkiesdraai St.
Erasmusrand
Pretoria
Tel. 086 100 1277

TurboCAD[®]
AFRICA



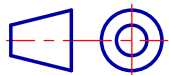
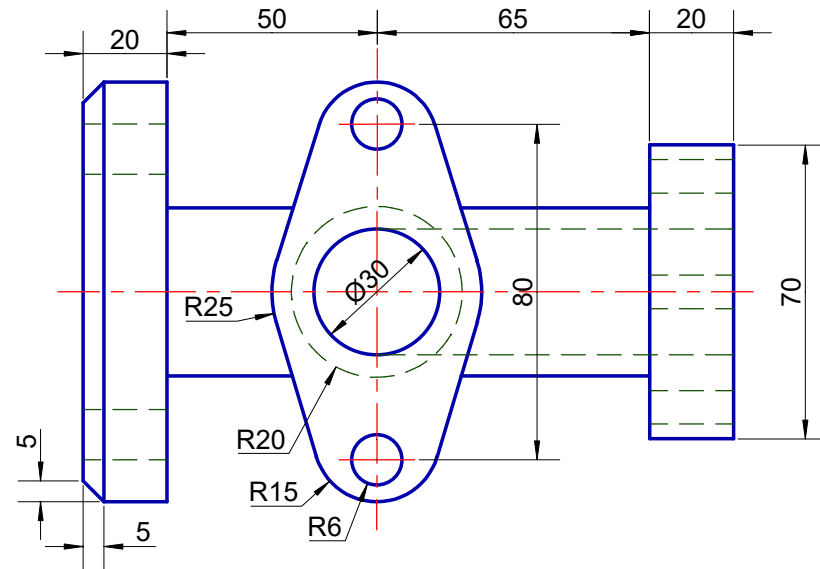
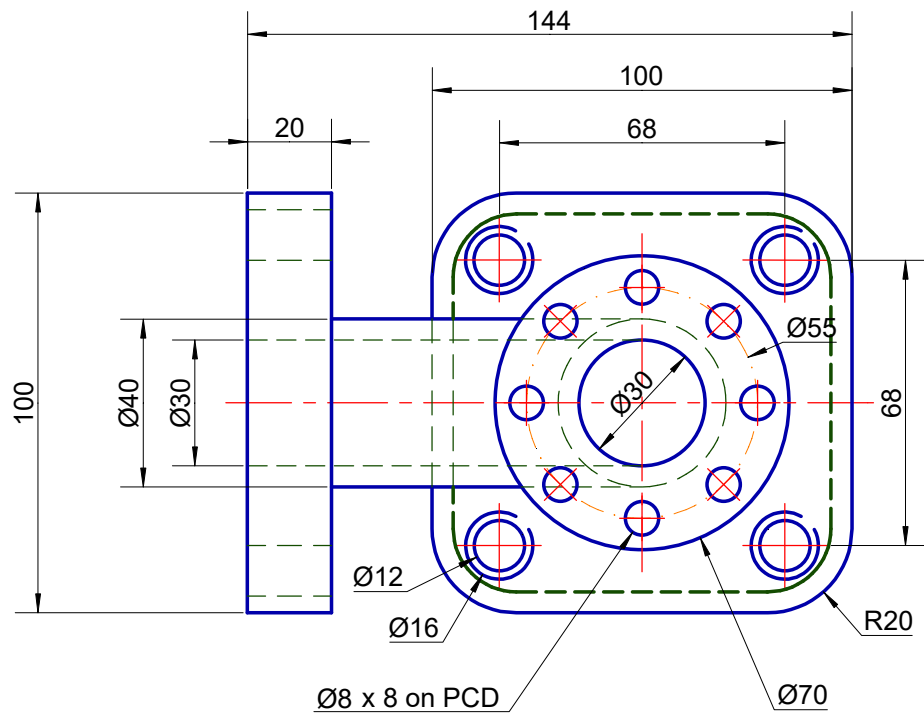
TITLE
EXERCISE 10

NOT TO SCALE
DATE: 12/06/2019

DRW. NO. : 1010

PREPARED BY:
TurboCAD Africa
298 Stokkiesdraai St.
Erasmusrand
Pretoria
Tel. 086 100 1277





TITLE
EXERCISE 11

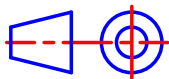
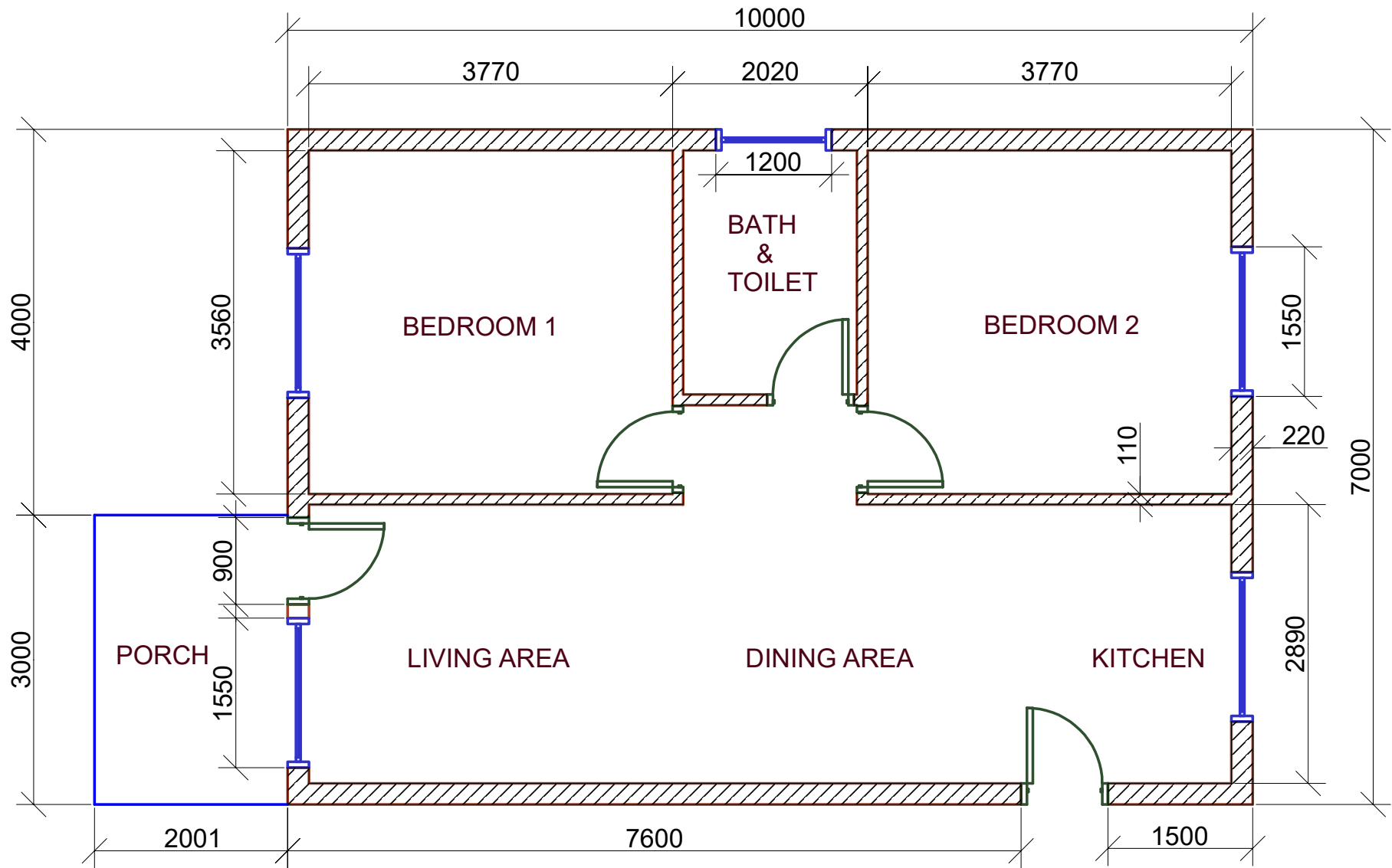
NOT TO SCALE

DRW. NO. :
1011

DATE: 12/06/2019

PREPARED BY:
TurboCAD Africa
298 Stokkiesdraai St.
Erasmusrand
Pretoria
Tel. 086 100 1277

TurboCAD[®]
AFRICA



TITLE

EXERCISE 12

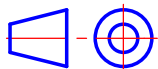
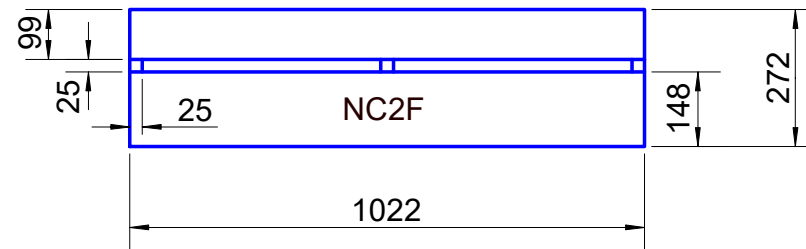
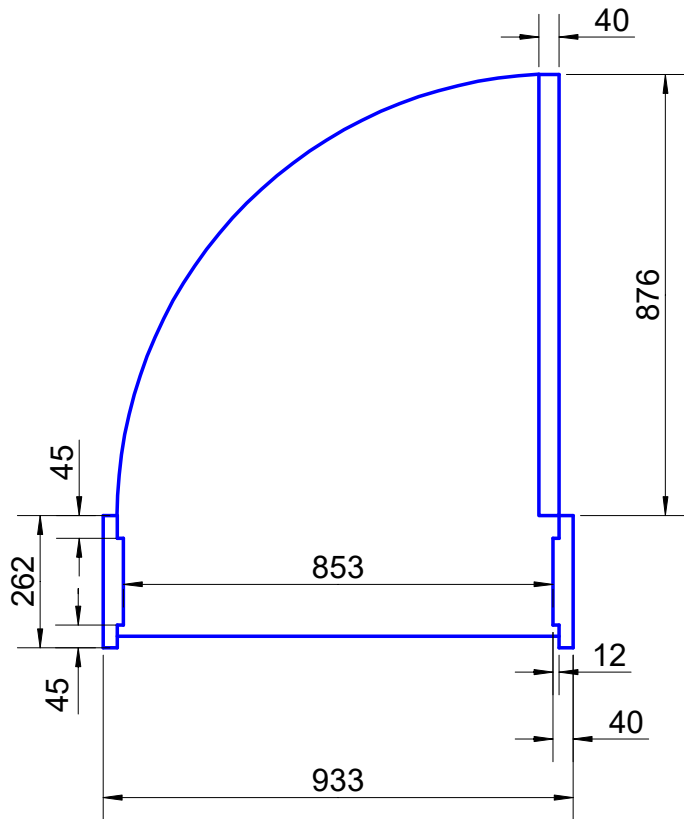
SCALE: 1:60

DATE: 12/06/2019

DRW. NO. :
1012

PREPARED BY:
 TurboCAD Africa
 298 Stokkiesdraai St.
 Erasmusrand
 Pretoria
 Tel. 086 100 1277

TurboCAD[®]
 AFRICA



TITLE
EXERCISE 13

NOT TO SCALE

DRW. NO. :
1013

DATE: 12/06/2019

PREPARED BY:
TurboCAD Africa
298 Stokkiesdraai St.
Erasmusrand
Pretoria
Tel. 086 100 1277

TurboCAD[®]
AFRICA