

# TurboCAD® Platinum 2022

Premium 2D/3D CAD Software



## TurboCAD® Platinum 2022

Our top-of-the-line, professional 2D/3D CAD application. Access a powerful drafting palette, ACIS® solid modeling, premium photorealistic rendering, advanced architectural and mechanical toolsets, a complete set of 2D and 3D modification features, and extensive file support.

### Affordable, Professional 2D/3D CAD Software

TurboCAD Platinum is a brilliant collection of professional 2D/3D CAD tools to design, modify, present, and document your CAD designs in an integrated fashion. It includes advanced mechanical design and modification tools, a powerful drafting palette, 2D Geometric and Dimensional constraints, and an ACIS® solid modeling engine. Advanced Architectural and Mechanical design tools, add even greater flexibility and control, while a new, superior Physical Based Rendering produces stunning, photorealistic designs. Plus TurboCAD Platinum is programmable and includes industry-leading compatibility with other CAD and Graphics software.

### If you are familiar with AutoCAD®, you already know a lot about using TurboCAD®!

In addition to up-to-date DWG and DXF file support, TurboCAD Platinum includes an optional AutoCAD-like, 2D drafting interface, with command line, keyboard shortcuts, and dynamic input cursor, which helps users already familiar with AutoCAD, easily get up-to-speed.

### Dozens of Productivity Tools

PDF Underlay, ePack, Intelligent File Send, Full xRef and Block Support, Editing, and much more!

## Key Features

**Powerful UI & Performance** - If you are new to TurboCAD 2022 Platinum, features like a fully customizable, ribbon interface, 4K monitor support, online and offline Help, and new feature tutorials, will get you designing right away. Save more time with handle-based editing and with multi-CPU, multi-threaded processing, as well as GPU support for rendering.

### 3D Surface and Solid Modeling-

TurboCAD includes a complete set of 3D Surface, Source Mesh (SMESH) and Solid modeling and editing tools, making it ideal for both single part and small assembly mechanical designs. Additional tools include 3D Booleans, Sweeps, Extrudes, 3D Print Repair, and more...

**Advanced Part Tree** - TurboCAD maintains a design history when its Part Tree feature is enabled. With the Part Tree, the user may return to any procedural step in their design and make modifications without losing subsequent work.

**TurboCAD**  
AFRICA

[www.turbocad.co.za](http://www.turbocad.co.za)  
086 100 1277

## New Features and Enhancements!

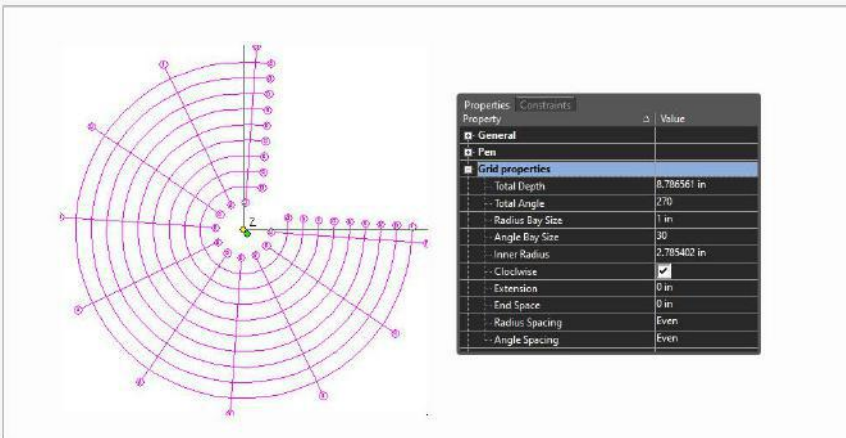
### TurboLux™

TurboLux is a state-of-the-art rendering technology which exploits Physically Based Rendering (PBR) techniques. PBR models light and materials based on the laws of physics, accurately simulating the flow of light, resulting in eye-popping images of photographic quality. Support for PBR-compatible Materials for TurboCAD is included in the 2022 release, with over 800, fully-editable TurboLux materials in TurboCAD Materials Palette.



### AEC Radial Grid

A new AEC Grid "Radial Grid" has been added to the Architecture menu. This Radial grid is a new tool that makes it easy to align other radial architectural objects in the drawing, such as curved walls and columns.



### Undo Manager Palette

A new Palette "Undo Manager Palette" has been added to the list of palettes. The palette displays all the steps performed and allows the user to switch back and forth. The steps breakdown allows users to switch from one drawing state to another with a single click bypassing intermediate states.

**Interoperability / File Support** - With over two dozen CAD and Graphics formats, the Platinum edition makes it easy to maintain your intellectual property investment and share your work with colleagues. TurboCAD 2022 Platinum includes support for the latest AutoCAD DWG, DXF and DWF formats, as well as including support of IGES, STEP and advanced mechanical CAD formats like CATIA, SolidWorks, Solid Edge and more.

**Architectural & GIS** TurboCAD Platinum includes an integrated suite of tools that streamline the design of remodels or new buildings. These tools include parametric objects that are also AutoCAD® Architecture (ACA) compatible, Terrain tools, a House Building Wizard, and Building Information Modeling (BIM) tools.

**2D Geometric & Dimensional Constraints**- Often referred to as variational sketching, the D-Cubed™ 2D DCM constraint manager from Siemens Industry Software Limited adds precision and productivity. By setting up constraints, TurboCAD users have greater control to enforce design intent, and may very quickly modify a design.

**Drafting Palette** -Using either 3D Surface or Solid models, create associative views, sections, and detailed views that can be updated in real-time – even from an Xref. These object views can be dimensioned and annotated rapidly. As the 3D design is modified, associated 2D drawing views are also updated, thus making change management automatic.

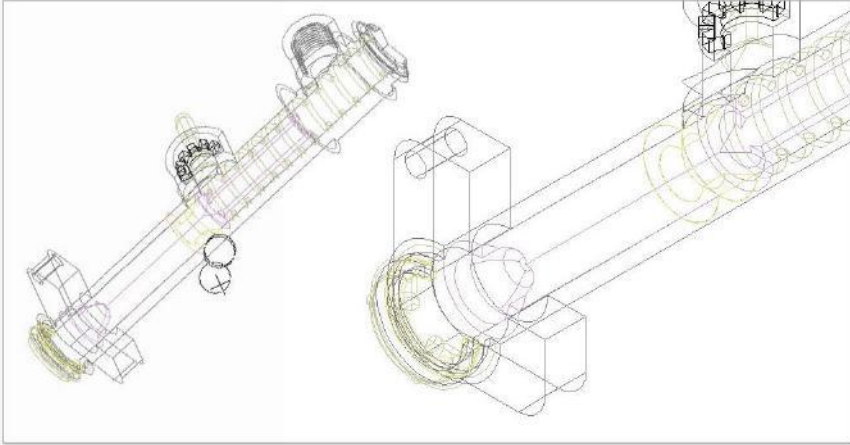
**Design Director** - Organize, access, and explore design alternatives. The Design Director Palette provides advanced controls for Layers, Layer Filters, creating Layer Sets, setting and saving Work Planes, controlling Named Views, and more.



www.turbocad.co.za  
086 100 1277

## Visualize (New & Improved)

A new, Dynamic Cut Plane has been implemented for Visualize Render in the Draft render mode. Three pre-defined cut planes (XY, YZ, XZ) have been added to the Drawing Setup and Dynamic Cut Plane options. Ability to hatch section contours has also been added to the Dynamic Cut Plane Drawing Setup options. Additionally, a new set of extended parameters have been added to Draft Rendering page of Camera Properties. These parameters are available for 3 visual style modes i.e., X-Ray, Conceptual, Shades of Gray.



## Roof and Slab Tools (Improved)

A new Overhang feature has been added to the Roof tools that allows you to control the overhang distance on all sides of the roof. Slab edge styles have been added to the Style Manager, allowing you to specify edge style and angle.



## User Reviews

We have used TurboCAD for over a decade in combination with TurboCAD CAM and TurboCAD Animation Lab plug-ins, in order to make presentations of product concepts, mechanically develop prototypes and feed our CNC machines to produce prototypes. We are now certain to stay with TurboCAD for the near future, because its versatile capabilities fills our needs perfectly.

— **Ralph K.**

The program has become an extension of my creative mind. As a long time engineer, used to using 2D and "projections", this has become my standard. Once one gets past the learning curve and the quirks of this software, (all software has issues) this program has everything I need and more than I need.

— **James A.**

## System Requirements

**64-bit:** Desktop or laptop PC; Microsoft Windows 11, 10, 8, or 7 (64-bit), 8 GB RAM; 1 GHZ 64-bit (x64) CPU processor

**32-bit:** Desktop or laptop PC; Microsoft Windows 11, 10, 8, or 7; 4GB RAM; 1 GHZ 32-bit (x86) CPU processor

**GPU Support:** The TurboLux™ Rendering engine now supplied with TurboCAD 2022, supports NVIDIA GPUs only. NVIDIA GPU must be running a CUDA v10 or later driver. If you are using an NVIDIA GPU, please make sure to check and update if necessary, the CUDA driver. Note: TurboLux does not support either Intel or AMD GPUs.